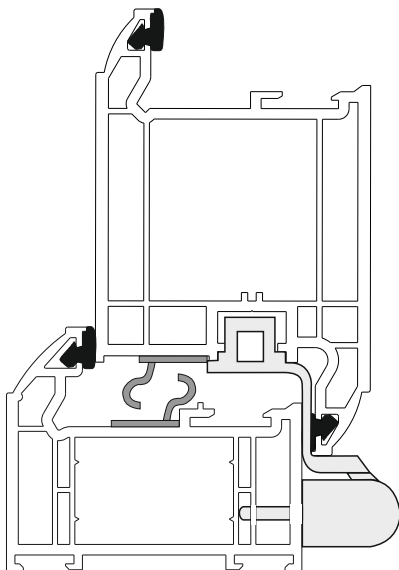
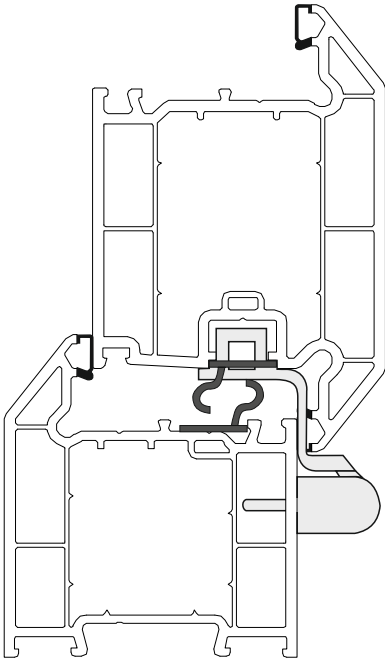
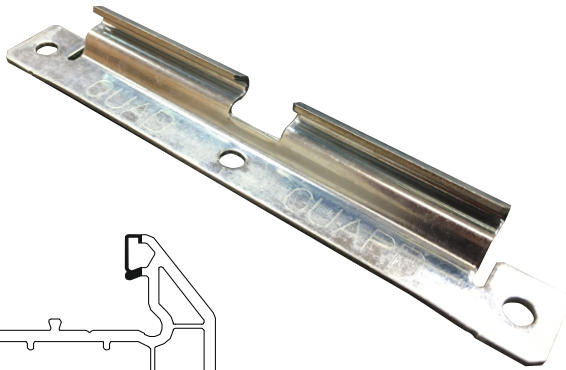




# WINDOW PRODUCTS LIMITED

Effective solutions for windows manufacturers and fitters

## GT Quad Guard



All drawings are not to scale.  
Reinforcement and fixings have been omitted for clarity.  
Quad Guard fixing positions vary according to different profiles.  
The hardware shown on these diagrams is only a sample of what is available.

Unit 4203 Oakfield Close,  
Tewkesbury Business Park,  
Tewkesbury, Glos  
GL20 8PF

T: 01684 290944

E: [sales@gtwindowproducts.co.uk](mailto:sales@gtwindowproducts.co.uk)

W: [www.gtwindowproducts.co.uk](http://www.gtwindowproducts.co.uk)

**GT Quad Guard** is a new revolutionary product designed to simply and effectively enhance the security of UPVC doors.

It has been developed on the success of the unique design of the GT Stay Guard Elite, and the non route direct fixing capability of the GT Guardian. The two have been combined to create a face-fix security solution, capable of meeting and exceeding the stringent PAS024 testing conditions.

Sash and Frame components are identical, providing an aesthetically pleasing look to the door with a high security perception.

If possible always fit the GT Quad Guard central to the hinges as shown in the diagram. We recommend that 4.8 x 25mm carbon steel zinc coated screws are used.

It is also recommended that, wherever possible, all screws should fix into reinforcing.